

NITTAN



EV-DPH

Analogue Addressable Dual Wavelength Photoelectric/ Heat Sensor

instruction manual



• Ref No: NISM/EV-DPH/01 • May 2010 • Issue: 1

• Evolution • EV-DPH • Dual Wavelength photoelectric / heat sensor instruction manual



Quality System Certificate No. 041
Assessed to BS EN ISO 9001:2008

NITTAN

NITTAN (UK) LTD. Hipley Street, Old Woking, Surrey, England, GU22 9LQ. UK
Tel: +44 (0) 1483 769555 • Fax: +44 (0) 1483 756686
Web Site: www.nittan.co.uk • E-mail: sales@nittan.co.uk



evolution.....

The *EV-DPH* analogue addressable heat sensor forms part of a range of analogue addressable fire sensors from Nittan (UK) Ltd called *evolution*.

The *EV-DPH* together with the *EV-PH*, *EV-H*, *EV-P* are all elegantly designed, low profile fire sensors which are aesthetically pleasing, thus enabling them to blend unobtrusively into modern working environments.

The evolution analogue addressable range all feature the very latest technological advancements such as ASIC design, increasing reliability and performance.

evolution.....

evolution



CONTENTS:-

Section 1

Introduction Page 3

Section 2

Sensor models Page 3

Section 3

Base Models Page 3

Section 4

Installation Page 4

Section 5

Maintenance & Cleaning Page 4-5-6

Section 6

Specifications Page 7

Section 7

Environmental Parameters: Page 7
 - Temperature Page 7
 - Humidity Page 7

Section 8

EMC Page 7

Section 9

Address Settings Page 8

Section 10

Connections Page 9

Section 11

Dimensions Page 9

Section 12

Disposal Page 10

Section 13

ROHS Compliance Statement Page 10

Section 1 - INTRODUCTION

The *EV-DPH* is an attractively-styled, low profile photoelectric / heat sensor for use with Nittan 'evolution' protocol control panels.

The *EV-DPH* has a chemically etched, stainless steel insect screen therefore reducing the ingress of insects and airborne contaminants.

EV-DPH features:

- * Optical detector, using dual wavelength LEDs and supporting a uniform response in any EN-54 Test Fire
- * Resistance to false alarms caused by steam
- * A2R or CS Grade heat detectors
- * EEPROM addressable (hand held programmer)
- * Low profile, stylish appearance
- * Supplied with protective dust cover, (remove during commissioning)
- * Low monitoring current
- * OMNIVIEW™ 360° LED fire alarm indicator
- * Remote indicator output
- * 'Base Control' auxiliary output
- * Non-polarised terminals
- * Compatible with UB-4-EV and STB-4SE-EV bases

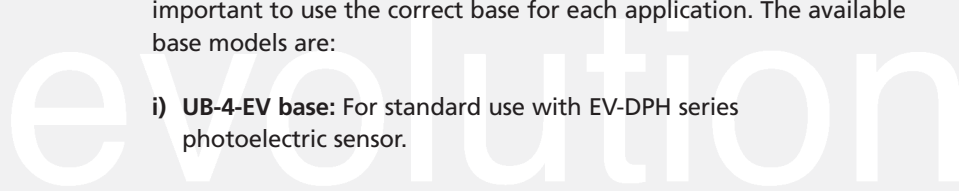
Section 2 - SENSOR MODELS

The *EV-DPH* dual wave length photoelectric / heat sensor has two terminals for connection onto the two wire loop. The remaining terminals provide a switched current sink function which operates when the detector goes into alarm condition, suitable for the operation of an auxiliary function such as a remote indicator. Terminal 3 (RIL) is limited to 3mA. Terminal 2 (Base Control) is not current limited.

Section 3 - BASE MODELS

A variety of bases are available for use with the *EV-DPH* sensors. It is important to use the correct base for each application. The available base models are:

- i) **UB-4-EV base:** For standard use with EV-DPH series photoelectric sensor.
- ii) **STB-4SE-EV base:** Similar to UB-4-EV but deeper.





Section 4 - INSTALLATION

In normal use, the *EV-DPH* sensor will be installed at ceiling level. Pass the field wiring through the cable hole in the centre and from the rear of the base. Offer up and affix the base to the ceiling or conduit fitting with screws via the base mounting holes. Connect the field wiring to the base terminals, as detailed on page 9 making sure the wiring does not obstruct fitting of the detector head. Fit the sensor head by inserting it into the base and turning clockwise until the notch in the detector rim aligns with base locking screw. The OMNIVIEW™ 360° alarm indicator permits visibility from any angle.

Note: The address must be set before the sensor is fitted into place

Fit the plastic dust cover supplied over the sensor to keep out dust etc, until the system is commissioned. If the dust cover is not fitted and the environment is slightly dusty, such as when building work is being completed, for example, problems of false alarms are likely to occur after commissioning unless cleaning of the sensor is undertaken. At commissioning, the dust cover should be removed and discarded.

NOTE: THE PLASTIC DUST COVER MUST BE REMOVED FROM THE SENSOR IN ORDER FOR THE SENSOR TO FUNCTION CORRECTLY.

Section 5 - MAINTENANCE AND CLEANING

Maintenance:

The *EV-DPH* sensor is a high quality product engineered for reliability. If proper preventative maintenance is not carried out, there is a likelihood of malfunction, including false alarms.

Servicing:

Servicing of the system should be carried out in accordance with the requirements of BS 5839 Part 1, Fire Detection and Alarm Systems for Buildings: Code of Practice for System Design, Installation and Servicing.

NOTE: THE PLASTIC DUST COVER MUST BE REMOVED FROM THE SENSOR IN ORDER FOR THE SENSOR TO FUNCTION CORRECTLY.



The maintenance procedures described below should be conducted with the following frequency:

One month after installation: **Routine Inspection and every 3 months after.**

Every 6 months: **Operational Test.**

Every 12 months: **Functional Test and Clean.**

All above frequencies of maintenance are dependent on ambient conditions.

Routine Inspection

- i) Ensure the sensor head is secure and undamaged.

- ii) Check the smoke entry apertures are in no way obstructed.

- iii) Ensure the surface of the sensor's outer cover is clean. If there are deposits due to the presence of oil vapour, dust etc, then the sensor should be cleaned in accordance with the cleaning instructions detailed later in this manual. It may be advisable to ensure that such cleaning is conducted regularly in the future.

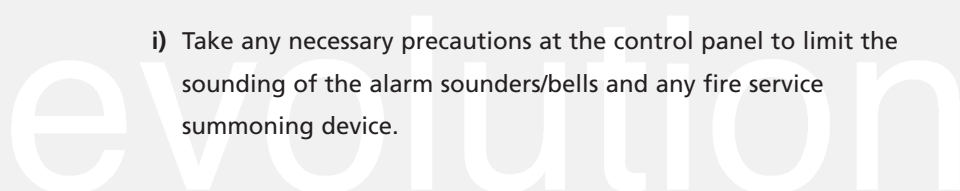
- iv) Ensure no equipment which may generate combustion products has been installed in the vicinity of the detector since the last routine inspection. If such equipment has been installed, then you should notify the Fire Safety Officer or other competent authority that its presence may cause false alarms.

Operational Test

The purpose of the Operational Test is to confirm the sensor's correct operation in response to a smoke/heat condition.

Note: When carrying out site testing of Analogue Addressable Evolution detectors, the CIE shall be set to test mode prior to beginning the tests.

- i) Take any necessary precautions at the control panel to limit the sounding of the alarm sounders/bells and any fire service summoning device.





- ii) Introduce a discrete amount of smoke into the sensor head, e.g. using equipment such as, Detector Testers "Testifire" smoke test equipment maybe used. Check that the sensor gives an alarm condition within 15 seconds. Check the LED indicator on the EV-DPH sensor illuminates and any remote indicator LED fitted also illuminates.

Warning:

When the device is not in test mode, aerosols will be ignored - as part of the false alarm reduction design.

- iii) After the sensor has given the alarm condition, reset the sensor from the control panel. It may be necessary to allow a short time to elapse before resetting the sensor, to allow any residual smoke from the test to disperse.

- iv) Before proceeding to the next sensor, ensure that the sensor previously tested does not re-operate due to the presence of residual smoke.

Functional Tests:

The functional test checks the sensor operation. These sensors may be returned to our factory for Functional Testing.

Cleaning:

Note: The sensor head should NOT be disassembled.

- i) Carefully remove the sensor head from its base.
- ii) Use a soft, lint-free cloth, moistened with alcohol for sticky deposits, to clean the plastic casing.
- iii) Using a soft bristle brush (e.g. an artist's paint- brush) carefully brush between the vanes in a linear motion away from the smoke entry apertures
- iv) It is permissible to blow dust from the chamber, without removing the cover, using a clean air line.
- v) If the unit needs further cleaning, or is damaged or corroded, please return the complete sensor to Nittan (UK) Ltd. for service.

evolution



Section 6 - SPECIFICATIONS

Model Reference:	- EV-DPH
Computer Reference:	- F14N82106 (A2R) F14N82107 (CS)
Sensor Type:	- Dual wavelength photoelectric / heat sensor
Sensitivity:	- Uniform response in all EN-54 Fire Tests A2R or CS Heat Grade
Operating Current:	- 200 microamps fire alarm (LED on) 5.2mA
Standard:	- EN54 Part 7:2001:A2 EN54 Part 5:2001:A1
Mass:	- 118g (excluding base)
Charging Time:	- 4 minutes
Ambient Temperature Range:	- -10 °C to +55 °C
IP Rating:	- 42
Certified to standard:	
CE certificate:	- TBA

Section 7 - ENVIRONMENTAL PARAMETERS

Temperature Considerations:
Over the range from -10 °C to +55 °C

Humidity:
Relative Humidity of up to 95%, measured at 50 °C, non condensing.

Section 8 - EMC

Installation

The installation shall be in accordance with the regulations either of the approval body for an approved system, or otherwise, to the national code of practice/ regulations for the installation of the fire alarm system, e.g. BS 5839 part 1.

Electromagnetic Compatibility (EMC)

On a site where there is an unusually high level of potential electrical interference, e.g. where heavy currents are being switched or where high levels of R.F. are prevalent, care then must be taken in the type and routing of cables. Particular care should be given to the separation of zone wiring from the cable carrying the interference.



Section 9 - ADDRESS SETTING (EV-AD2)

1 Stand by mode

EV-AD2 will switch to STAND-BY MODE to save battery power if there is no key operation for more than one minute after finishing changing device addresses. During the STAND-BY MODE, 7 segment LED is blank. Power LED is lit.

To return EV-AD2 from STAND-BY MODE press any key.

2 Instruction

1. EV-AD2 requires two 9v PP3 batteries.
 - a) Before inserting the batteries, confirm the EV-AD2 is switched off and check polarity of battery, or damage could result.
2. Turn the power switch ON.
 - a) For one second, all LED's are lit and the buzzer sounds.
3. Plug the device onto the base.
4. Press the [Search] Key
 - a) Buzzer sounds, then the EV-AD2 starts transmitting to the detector.
 - b) Do not remove the detector when transmitting, or damage could result.
5. The 7 segment LED reads [Customer code], [Type of detector], [Address] in turn.
 - a) The buzzer sounds, ERROR LED lights and the 7 segment LED displays an ERROR CODE when an unsupported or defective device is connected.

The 7 segment LED distinguishes the Customer Code, Type and Address by the dot position in the LED.

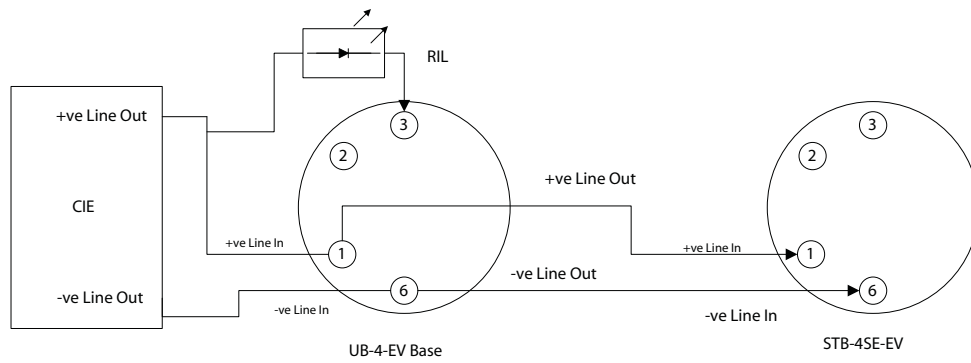
The information displayed by the 7 segment LED cycles every second and stops whilst displaying the [address] at the end of the second cycle. Pressing any key at any time during the information collection cycle, forces the EV-AD2 to display the address, and await new address selection.

6. +100, +10, +1 keys are used to select the new address.
7. Press the [Set] key
 - a) The buzzer sounds, and all LED's are turned off. The EV-AD2 then starts transmitting to the detector.
 - b) Do not remove the detector.
8. The 7 segment LED shows the new address and "complete" LED lights. If an unsupported or defective device is connected the buzzer sounds, ERROR LED is lit and the 7 segment LED reads ERROR CODE.
9. To continue changing the address for another detector, change the detector and then repeat from step 3. To finish changing addresses, turn the POWER SW off.

0.01 → 12.3 → 003.
 Customer Code Type of detector Address
 (Note - Dot position)

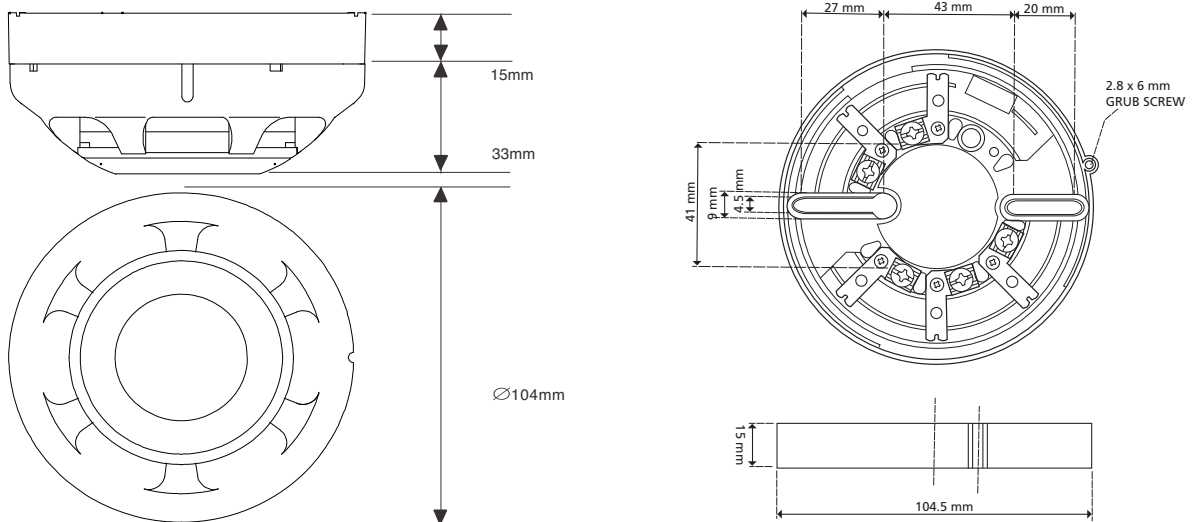


Section 10 - CONNECTIONS



Auxiliary terminal RIL current limited to 3mA. Base control is not current limited as the auxiliary equipment provides the limiting. If the +ve supply for the auxiliary equipment is taken from the *EV* loop, care must be taken to not cause corruption of the EV protocol by excessive current draw.

Section 11 - DIMENSIONS





Section 12 - DISPOSAL

This symbol on the EV-DPH indicates that this product must not be disposed of with household waste. Instead, it is your responsibility to dispose of your waste equipment by handing it over to a designated collection point for the recycling of waste electrical and electronic equipment. The separate collection and recycling of your waste equipment at the time of disposal will help to conserve natural resources and ensure that it is recycled in a manner that protects human health and the environment. For more information about where you can drop off your waste equipment for recycling, please contact your local city office or your household waste disposal service.

Section 13 - ROHS COMPLIANCE STATEMENT

(RoHS compliant and lead-free)

This product complies with the European Union RoHS (Restriction of Hazardous Substances) directive 2002/95/EC which restricts the use of the following six hazardous materials in the manufacture of electronic and electrical equipment.

- Lead (Pb)
- Hexavalent Chromium
- Mercury (Hg)
- Cadmium (Cd)
- Polybrominated biphenyls (PBB's)
- Polybrominated diphenyl ethers (PBDE's)



RoHS

evolution